

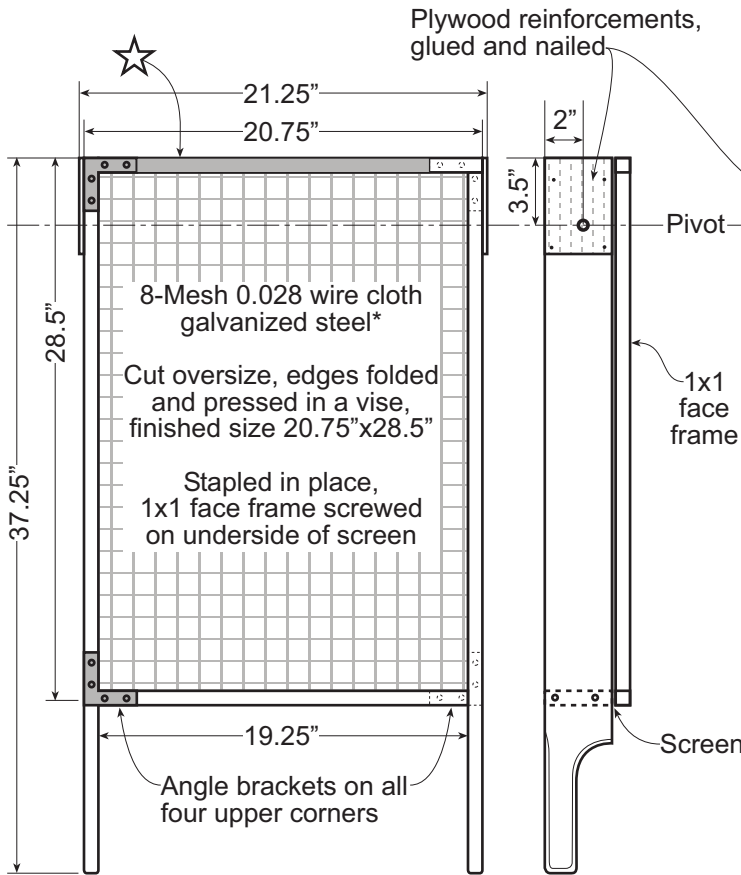
SCREENS HRA Mk. III "Ne Plus Ultra"



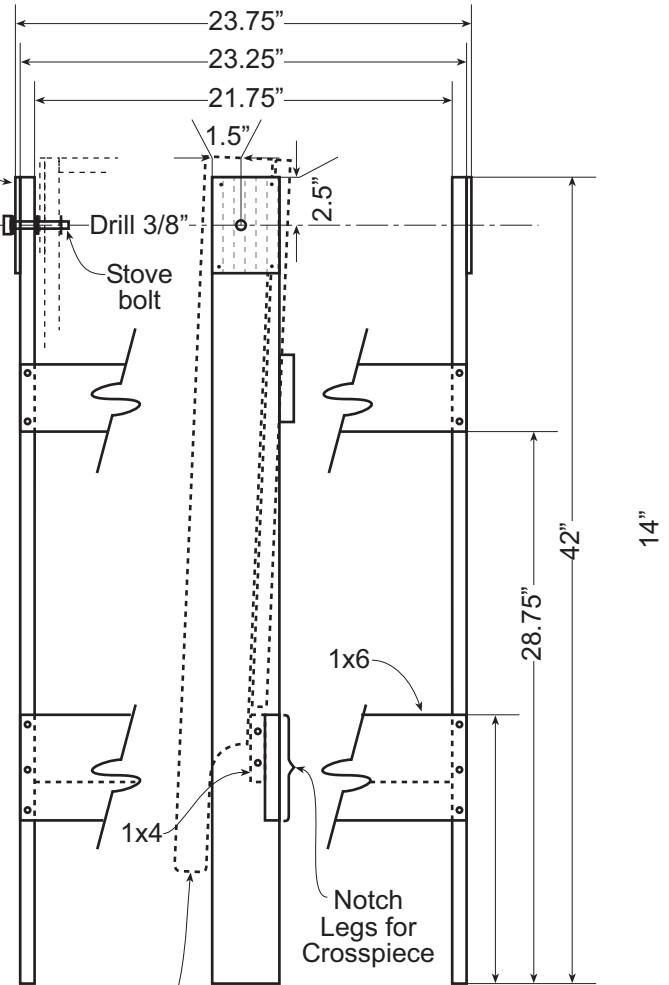
**HERITAGE
RESEARCH
ASSOCIATES, INC.**

1997 Garden Avenue
Eugene, Oregon 97403
Phone 541/485-0454
FAX 541/485-1364
www.heritage-hra.com

Box



Legs



All joints screwed and glued

When closed, the box should rest upon both crosspieces of the legs

Six screens will require approximately:
22 - 1"x4"x8'
6 - 1"x1"x8'
1 quart glue

Box - Fir or pine

Legs - Fir or pine

Hardware

1x4s
2 - 37.25"
1 - 20.75"
1 - 19.25"

1x4s
2 - 42"
1 - 23.25"
1 - 21.75"

4 - 3" angle brackets
30 - 2" deck screws
16 - 3/4" wire nails
2'x2.5' hardware cloth*

1x1s
2 - 27"
2 - 20.75"

1x6
1 - 23.25"

Pivots
2 - 3" stove bolts
2 - 3/8" lock nuts
8 - 3/8" flat washers

1/4" ply
2 - 3.5"x5"

1/4" ply
2 - 3.5"x5"

Yellow carpenter's glue

*HRA uses "8 Mesh .028 Wire Galv" purchased from:
Howard Wire Cloth Co.
28976 Hopkins Street
Hayward, CA 94545
<http://www.howardwire.com/>

Ordinary 1/8" hardware cloth, intended for plastering, isn't very hardy

- ☆ A very popular option is to cover the upper edge of this board with 3/4" angle aluminum. This protects against auger damage and provides a handy place for scraping the clay off of your trowel.
- ☆ This end of the box is a good place to write frequently used references, such as the diagonal of a 1x1 (1.414) and a 1x2 (2.236).